

General Information

Warning - Serious injury or death may result from safety hazards caused by improper use or installation. When in doubt about proper use or installation of LiteDeck®, immediately contact your project’s Structural Engineer or your LiteDeck® supplier for clarification. Before beginning, check local engineering and building codes on cast-in-place, joisted concrete construction. The instructions in this manual cover basic building situations and are not meant to replace job-specific codes for the engineering or safety for a specific project.

The LiteDeck® system described in this manual requires appropriate bracing and shoring to properly support the form work during the placement of concrete. This manual covers basic bracing and shoring and is not meant to replace job-specific requirements. **Installer is responsible for the design and correct installation of shoring of LiteDeck® forms in accordance with the latest ACI (American Concrete Institute) 347R “Guide to Formwork for Concrete”.** Any variance from these standards must be provided and certified in advance by a structural engineer, licensed for the job site location, type and specifications.

The LiteDeck® system described in this manual requires appropriate steel reinforcing to properly support the dead loads, live loads and clearspans required. This manual covers basic reinforcing and is not meant to replace job-specific requirements. **Installer is responsible for placement of all reinforcing steel in accordance with the latest ACI (American Concrete Institute) 318 “Building Code Requirements for Reinforced Concrete”.** Any variance from these standards must be provided and certified in advance by a Structural Engineer, licensed for the job site, type and specifications.

Interchangeability - The LiteDeck® forms and the placed concrete will, in most cases, require the application of a finish or cover material which is not manufactured or supplied by LiteForm® Technologies. Installers are instructed to follow the manufacturer’s recommendations for the proper use of those products and/or systems in conjunction with LiteDeck®. Although certain types of finishes and covers are mentioned in this manual, LiteForm® Technologies does not recommend or endorse any particular finishing material or system.

Warranty - LiteForm® Technologies, “the company” will refund the price of or replace, at it’s election, any LiteDeck® component which it finds to be defective provided the product has been used properly. **Except as expressly stated above, the Company makes no warranty of fitness for any particular purpose nor does it make any warranty, expressed or implied, of any nature whatsoever with respect to the product or the use thereof, by the way of illustration and example. In no event shall the Company be liable for delays caused by defects, for loss of use or for indirect, special or consequential damages, or for any charges or expenses of any nature incurred without its written consent.** The foregoing is the full extent of the responsibility of the Company even though the Company may have been negligent.

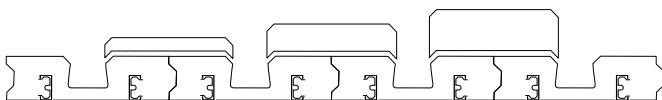
Changes and Revisions - LiteForm® Technologies reserves the right to change product design, safe working loads, product dimensions or installation techniques at any time without prior notice to users.

Your LiteDeck SRS Sections - LiteDeck comes in standard 2’ or 4’ widths. LiteDeck’s Top Hat design lets you custom assemble the forms on the job site, to produce the appropriate load bearing concrete joist. Six-Inch Base Section is supplied in custom lengths and should not require field cutting.

Four-foot wide sections are normally supplied for form lengths up to 24-feet. **Two-foot wide sections** are supplied for form lengths over 24-feet. If Base Sections must be trimmed or cut, this can be done with a reciprocating saw.



Top Hat Sections - are supplied in 3 different (2”, 4” or 6” thick). To create finished joist depths over 6-inches, they are attached to the base sections. They are supplied in standard 8-foot lengths and can be cut or trimmed with a manual or power saw. One more Top Hat sizes are combined to create a wide variety of finished joist depths.



Estimated Concrete Consumption

Square feet of coverage for 1 cubic yard of concrete at various LiteDeck thicknesses

LiteDeck Beam	6"	8"	10"	12"	14"	16"
Concrete Cover	Sq. Ft. of Coverage per 1 Yard of Concrete					
2 inch	110	100	90	76	70	66
2.5 inch	90	83	76	66	62	58
3 inch	83	76	71	62	58	55
3.5 inch	71	66	62	55	52	50
4 inch	66	62	58	52	50	47
4.5 inch	58	55	52	47	45	43
5 inch	55	52	50	45	43	41
5.5 inch	50	47	45	41	40	38
6 inch	45	43	41	38	37	35

Manufactured & Distributed under license by: LiteForm® Technologies
 1950 W. 29th Street
 South Sioux City, NE 68776
 Phone Toll Free in North America: 1-800-551-3313
www.liteform.com

MATERIALS THAT YOU WILL NEED

- Good quality 2x4 and 2x6 dimensional lumber
- Approved shoring systems (3 examples are illustrated)
- Various screws as detailed in manual
- 16 gauge wire

STEP 1 INSTALL INTERIOR PERIMETER BRACING

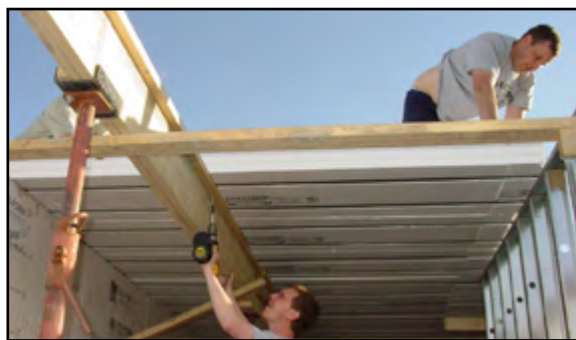
Interior perimeter bracing is placed horizontally at the top of the interior sides of the walls, on both ends of the LiteDeck® sections, perpendicular to the LiteDeck® steel rib. *DIAGRAM A*

- Place bracing flush the with top of wall, continuously on both ends.
- Anchor wood stud to wall, every 16" to 24" with masonry screws or nails when anchoring to masonry walls. Use drywall screws when anchoring to an insulating concrete form's furring strips.
- Reinforce the brace by installing good quality 2x4 wood studs vertically, every 4' to 6'. **Vertical studs will carry the weight of concrete placement!** So, it must be securely anchored to the wall approx. 3' apart and toe nailed to horizontal brace at top.

STEP 2 INSTALL TEMPORARY SHORING

Temporary shoring is used to carry the majority of the weight, as concrete is placed. It must be placed in accordance with a licensed Structural Engineers job-specific guideline or in accordance with the latest ACI (American Concrete Institute) 347R "Guide to Formwork for Concrete". Continuous shoring is placed perpendicular to the LiteDeck® sections and spaced 6 feet apart. Adjustable, pre-rated shoring systems are strongly recommended and can be purchased or rented, as needed. **If non-rated shoring materials are used, a Structural Engineer can provide guidance on the load bearing capacities of various shoring materials.** Four types of shoring techniques are illustrated. *DIAGRAM B (next page).*

- Any span farther than 5 feet must have temporary shoring supporting it
- Adjust shoring height to compensate for any required camber
- Shoring must be on solid, spreader footing or concrete pad
- If permanent joists will be supporting LiteDeck® sections, they must be certified by a structural engineer, to support the combined dead and live loads.



Shoring must be attached to the steel rib of the LiteDeck sections.

STEP 3 PLACE LiteDeck® SECTIONS

With bracing and shoring in place, sections can be placed snugly together. *DIAGRAM A (next page).*

- Secure the LiteDeck sections to the shoring system.

CAUTION! Diagrams in this manual do not show complete and proper reinforcing steel (rebar) placement. Project-specific engineering plans or local building codes must be followed.



LiteDeck® sections are being placed on top of a solid, insulated concrete basement. The interior perimeter bracing and shoring (perpendicular to the clear span) has been placed. Note the vertical reinforcing steel which has been cast into the basement walls. That steel will be structurally integrated into reinforcing steel used for the LiteDeck® floor.

STEP 4 ATTACHING TOP HATS

Top Hat Sections should be anchored (attached) prior to placing reinforcing steel. Insert 6" to 10" lengths of heavy wire (skewers) diagonally, through the Top Hat, into the Base Section. Place anchors approximately every 4 feet. Continuous applications of glue or double-sided tape, which has been approved for use on rigid Polystyrene insulation, can also be used to anchor Top Hats.



Foam glue is used to attach top-hats to the base section.



Rebar chairs are used to elevate rebar in the beam. These chairs are available from your LiteDeck supplier. Call for more information. 1-800-551-3313

DIAGRAM A

Temporary Shoring using adjustable, load-rated system

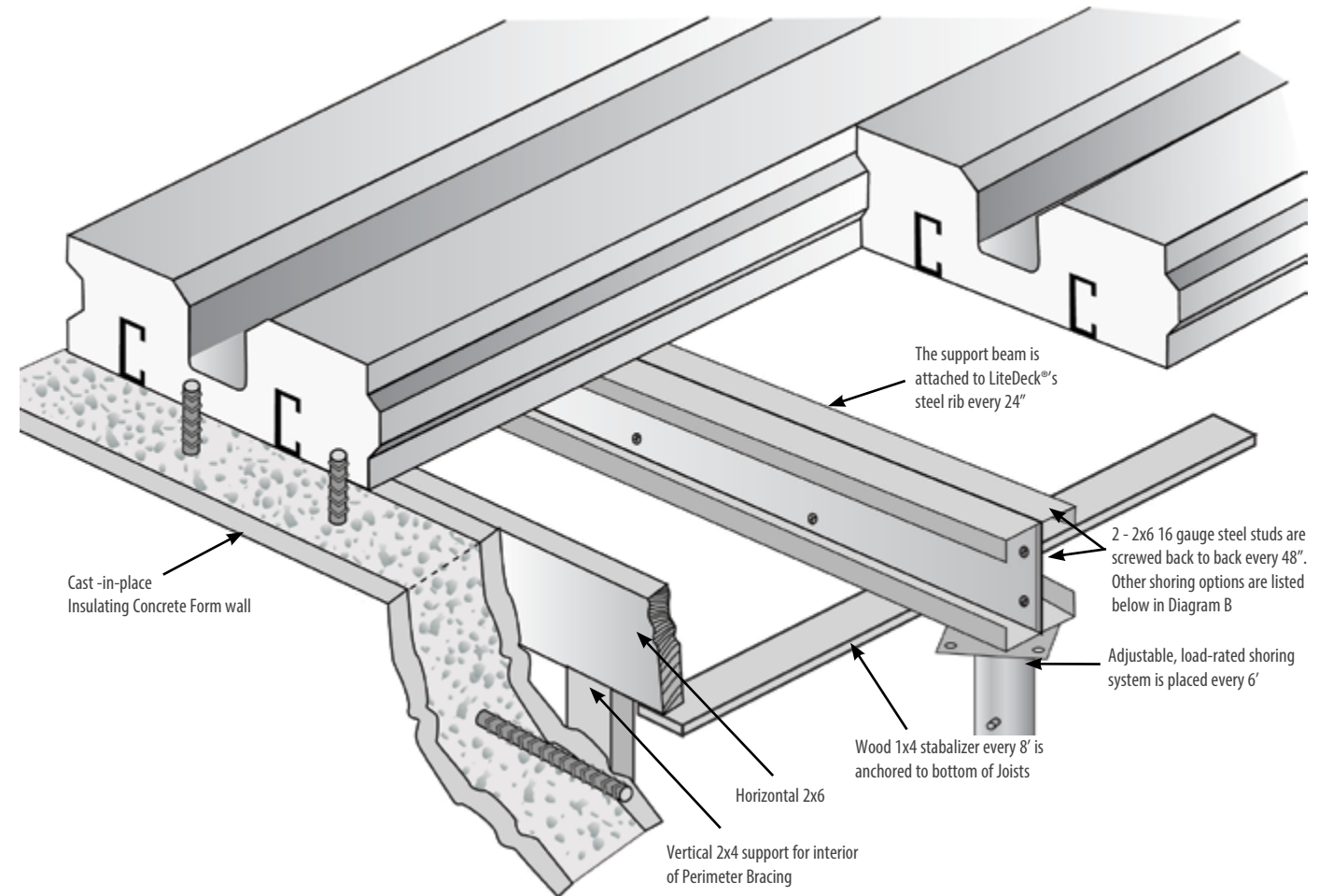
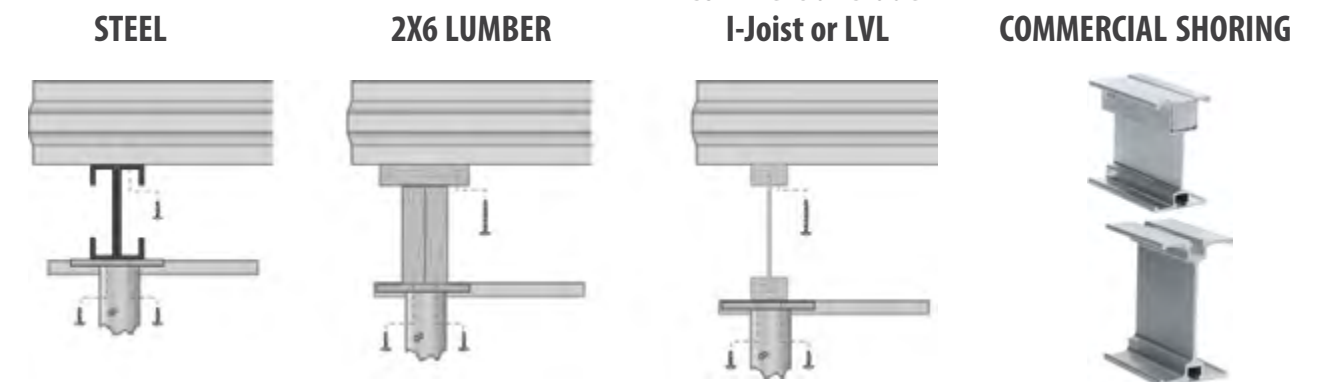


DIAGRAM B

SHORING SUPPORT OPTIONS



Caution!

Workers should not be under sections while they are being placed, while rebar is being placed or during concrete placement.

In windy conditions, it may be necessary to weight the sections

Do not step onto the joist portion of sections.

Shoring must be on a solid, spread footing or concrete pad

Installer is responsible for the design and correct installation of shoring of LiteDeck® forms in accordance with the latest ACI (American Concrete Institute) 347R "Guide to Formwork for Concrete".

STEP 5 INSTALL OUTER PERIMETER BRACING

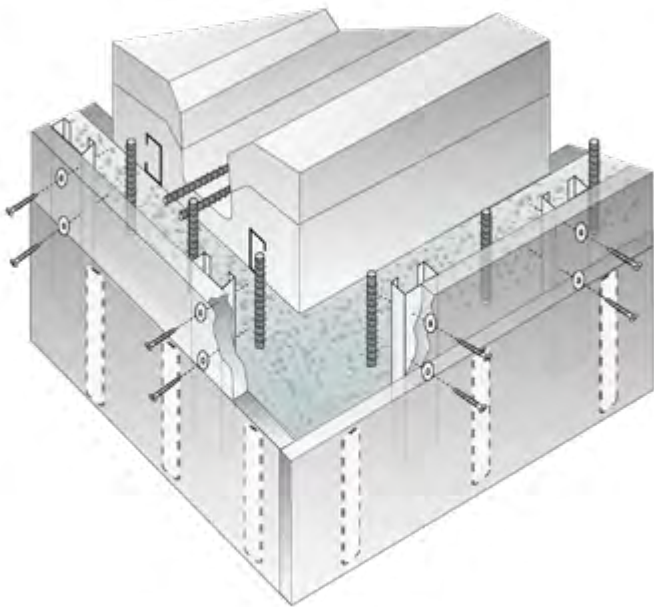
Outer bracing is installed to contain the concrete during placement. The bracing material can be rigid polystyrene or dimensional lumber. The “steel stud” technique for holding it in proper alignment is illustrated. However, your Structural Engineer or LiteDeck® supplier may suggest other anchoring systems.

DIAGRAM D

- Lengths of steel studs are cast into the wall every 16” during the concrete curing process. The length of these studs will vary due to the thickness of the concrete deck.
- Anchor 2” EPS board around perimeter with 3” screws and washers.

DIAGRAM D

Outer Perimeter Bracing for Insulating Concrete Form Walls



STEP 6 INSTALL REINFORCING STEEL

Reinforcing steel (rebar) must be placed in accordance with a licensed Structural Engineer’s job-specific guideline or in accordance with current ACI (American Concrete Institute) 318-99 Building Code Requirements for Reinforcing Concrete. **Rebar is normally placed in the joist cavity, at the perimeter and within the concrete cover. The rebar shown in this manual is not intended to be a structural engineering guideline for actual placement DIAGRAM D.**

STEP 7 INSTALL MESH AND IN-FLOOR HEATING SYSTEM FOR CONCRETE COVER

Once the outer perimeter bracing has been secured, reinforcing mesh or rebar can be placed for the concrete cover. Follow the guidelines provided by your licensed Structural Engineer or install in accordance with ACI Standards mentioned in this manual. If systems such as in-floor heating are to be installed, follow the manufacturer’s guidelines for proper installation.

STEP 8 CONCRETE PLACEMENT

The following concrete specifications are only suggestions. Specifications from your licensed Structural Engineer or local building code office should be followed, if they are different:

- Start by placing concrete in the joists
- Concrete can be placed with pump, out of truck or with wheelbarrow**
- Avoid excessive concentrations of crew or piles of concrete
- Typical concrete specifications:
 - 4-6 inch slump
 - 4,000 to 5,000 psi
 - 1/2 to 3/4 inch smooth aggregate
- Must be finished at time of placement...manually or with power float
- Should be consolidated by vibrating

Concrete placement must be in accordance with ACI (American Concrete Institute) codes 305 and 306 (hot and cold weather placement) and code 301 for structural concrete.

****Supplier must be able to provide concrete in a timely manner and plans must be made for an alternate method of concrete placement in the event of equipment failure. Concrete must be placed in a single operation. Any cold joints in joists or cover could result in structural failure of the installation.**

STEP 9 REMOVING BRACES

Wait a minimum of 21 days or until concrete has reached 75% of design strength (through hydration) before removing temporary shoring or bracing. A simple “cylinder” test can be done by a local testing facility to determine the design strength at any time.

CAUTION! WORKERS MUST NOT BE UNDER SECTIONS WHILE CONCRETE IS BEING PLACED! Workers should observe placement from a safe distance. If shoring/bracing shifts or fails, placement can be immediately stopped.

LiteDeckSRS

Manufactured and Distributed under license by LiteForm® Technologies 1950 W. 29th St. - South Sioux City, NE 68776
For personalized technical assistance, contact your LiteDeck® supplier or call: 1-800-551-3313

This manual or parts thereof may not be reproduced in any form without written permission from LiteForm® Technologies. Copyright 2020 LiteForm® Technologies.